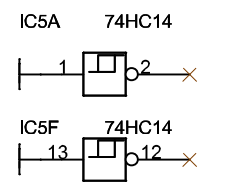
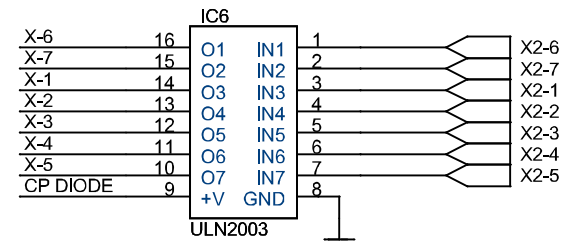
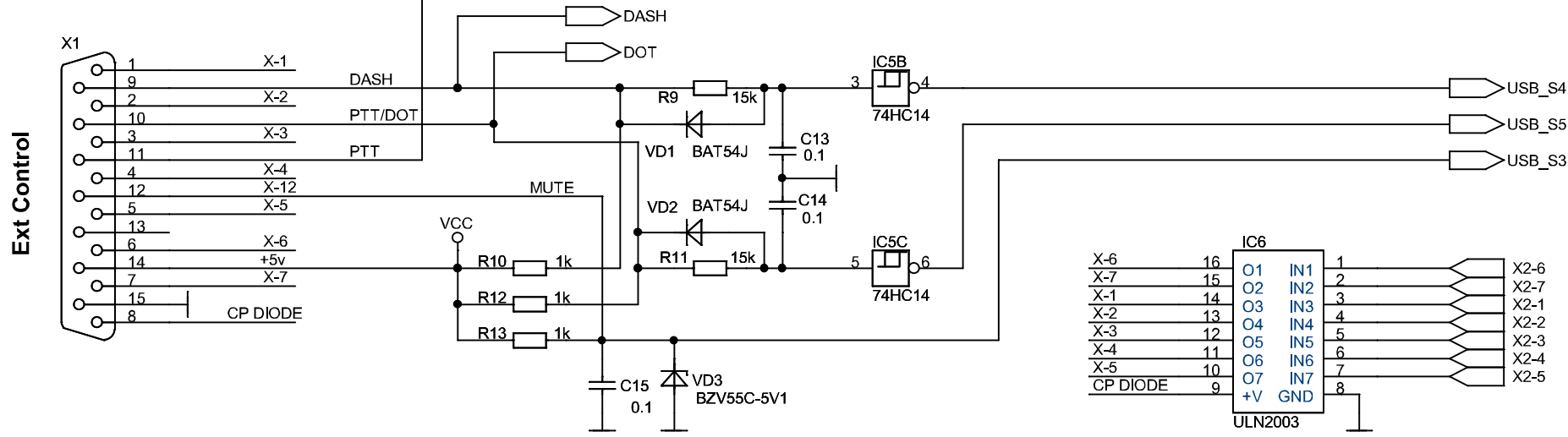
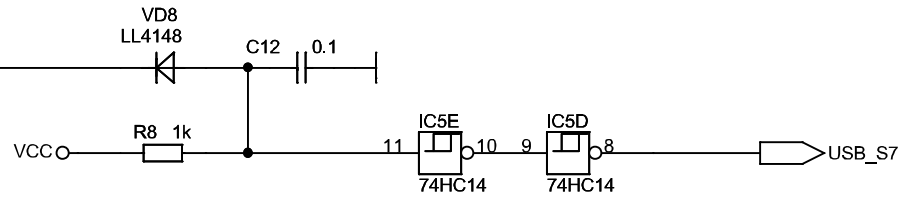
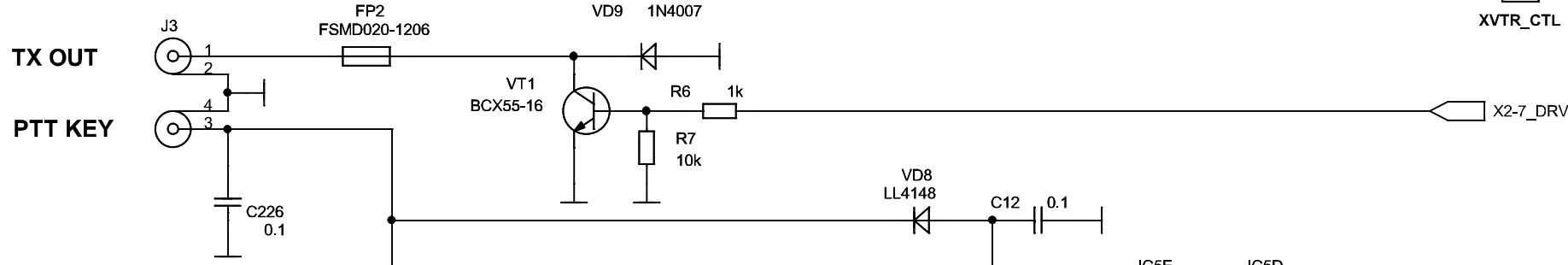
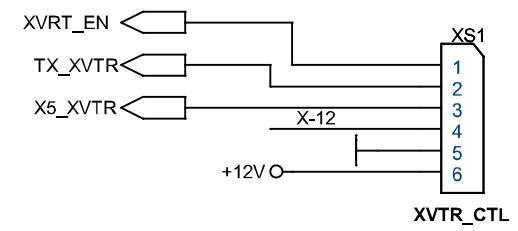
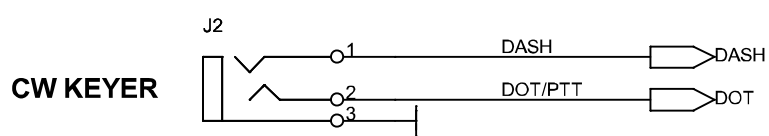
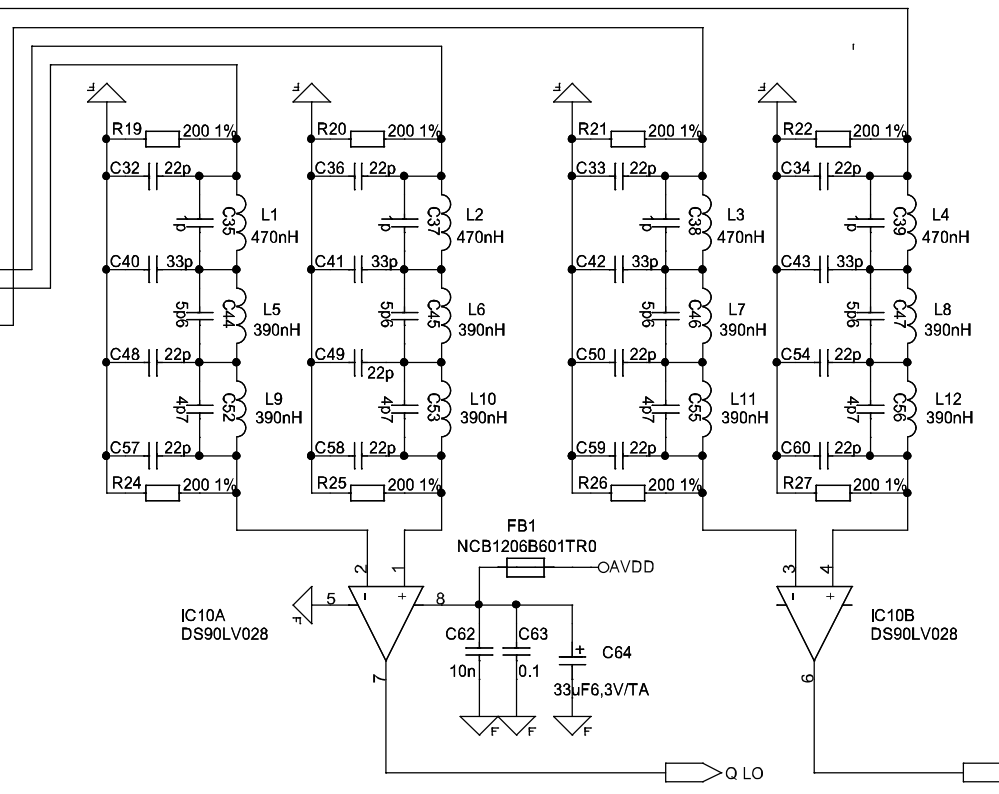
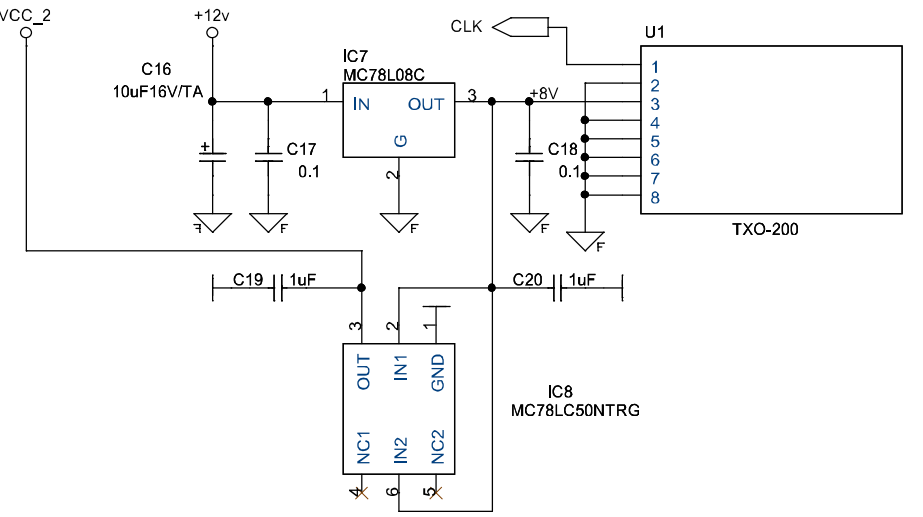
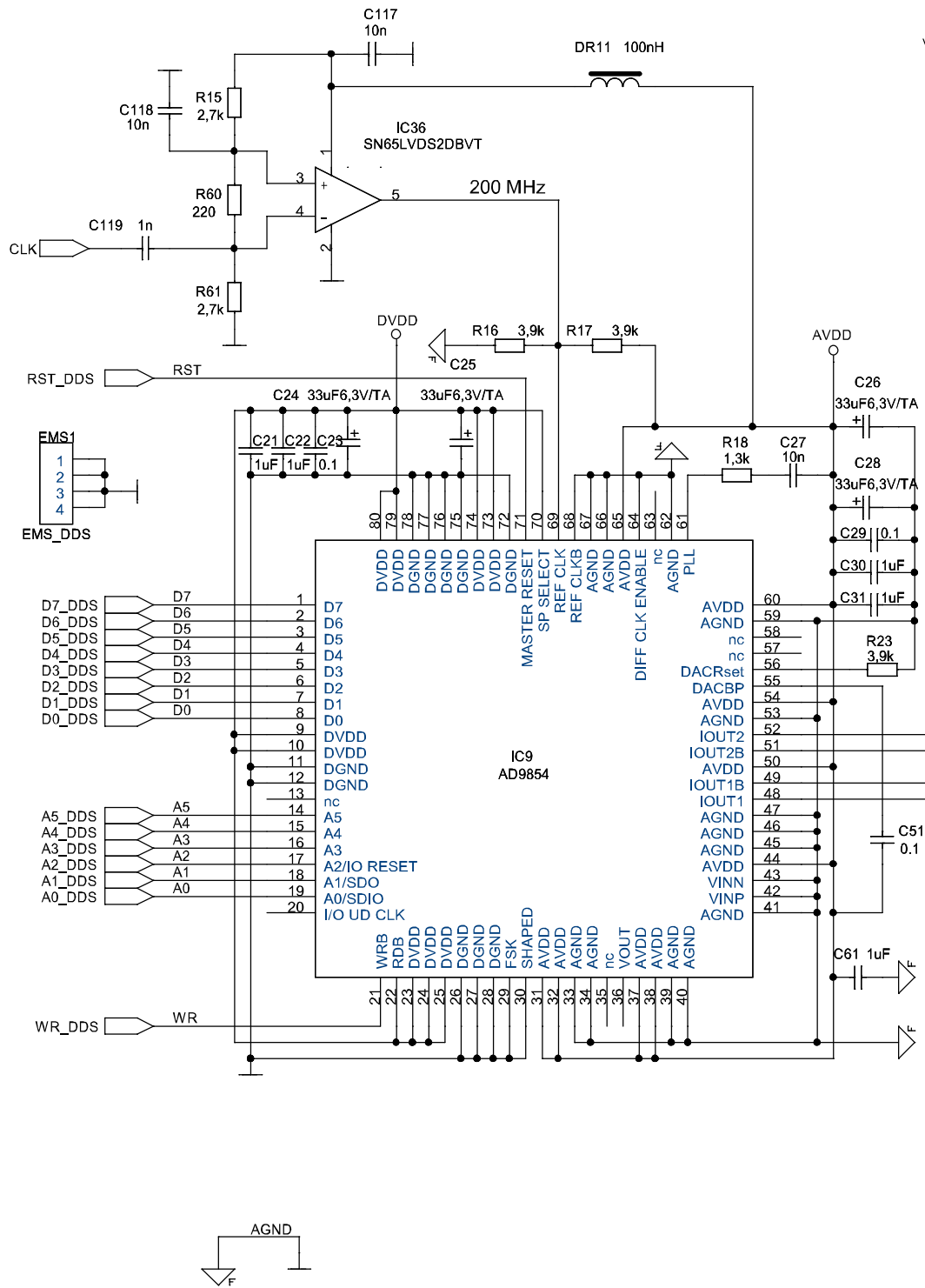
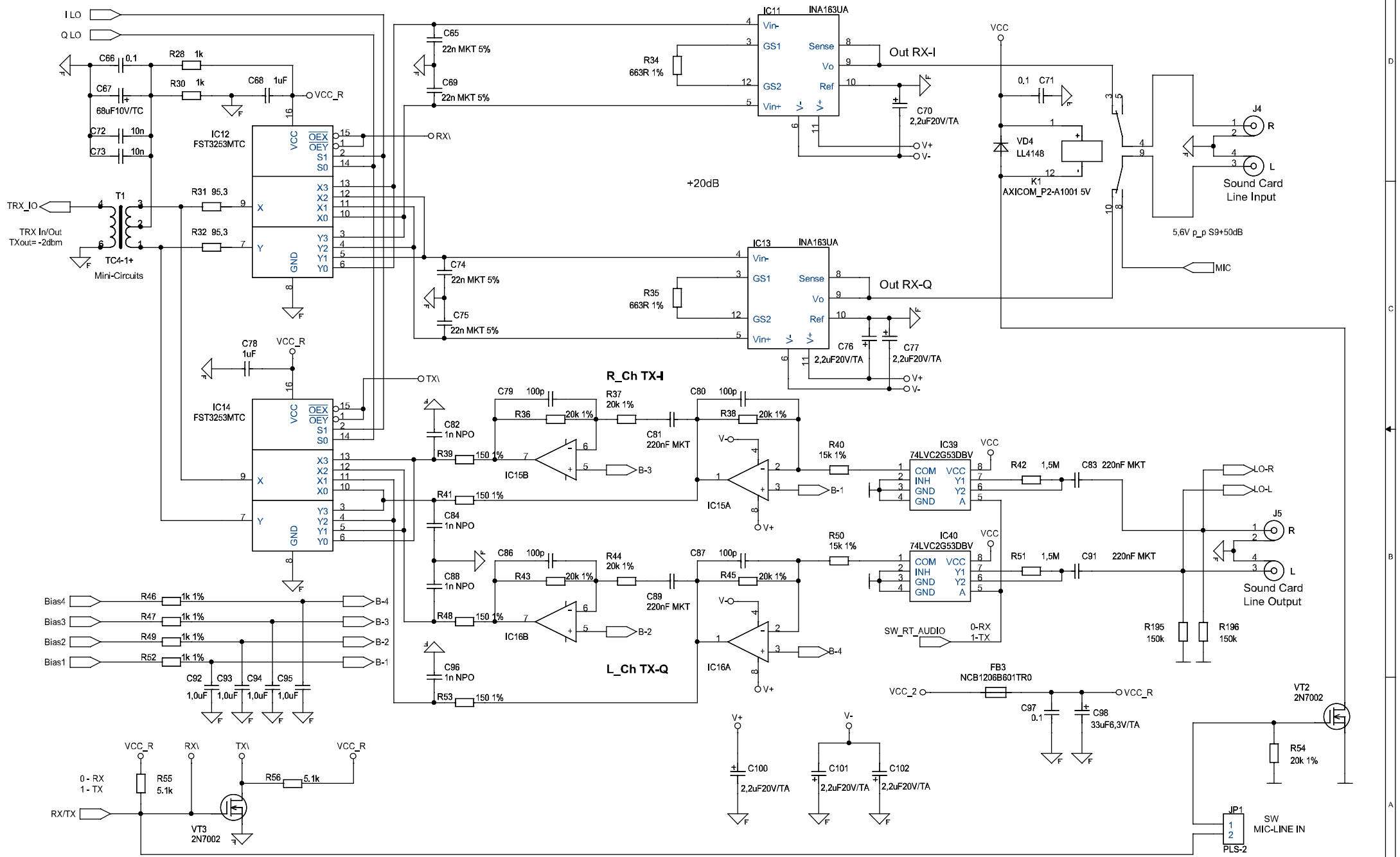


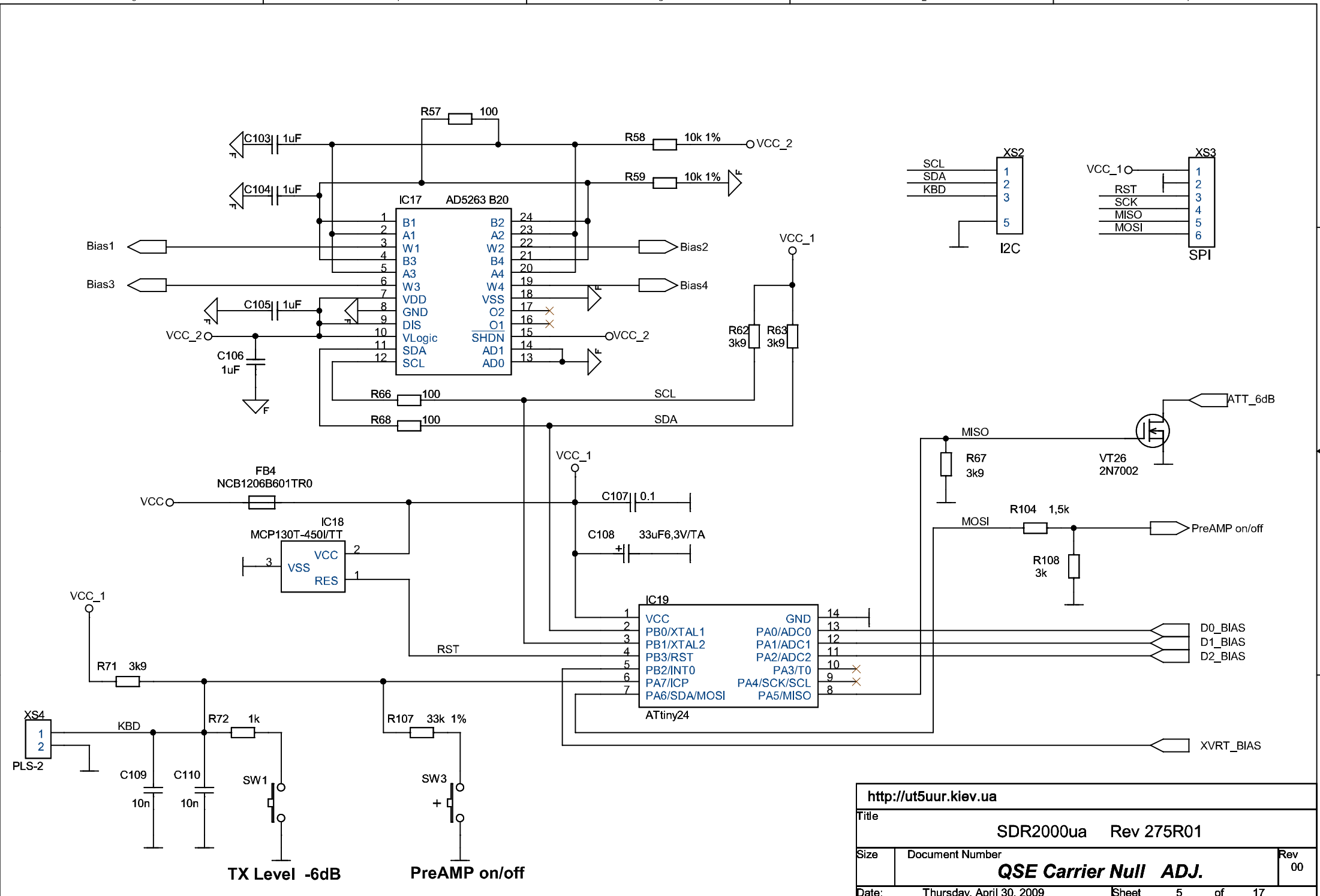
<a href="http://ut5uur.kiev.ua">http://ut5uur.kiev.ua</a>		
Title		
SDR2000ua Rev 275R01		
Size	Document Number	Rev
	<b>USB</b>	00
Date:	Wednesday, February 03, 2010	Sheet 1 of 17



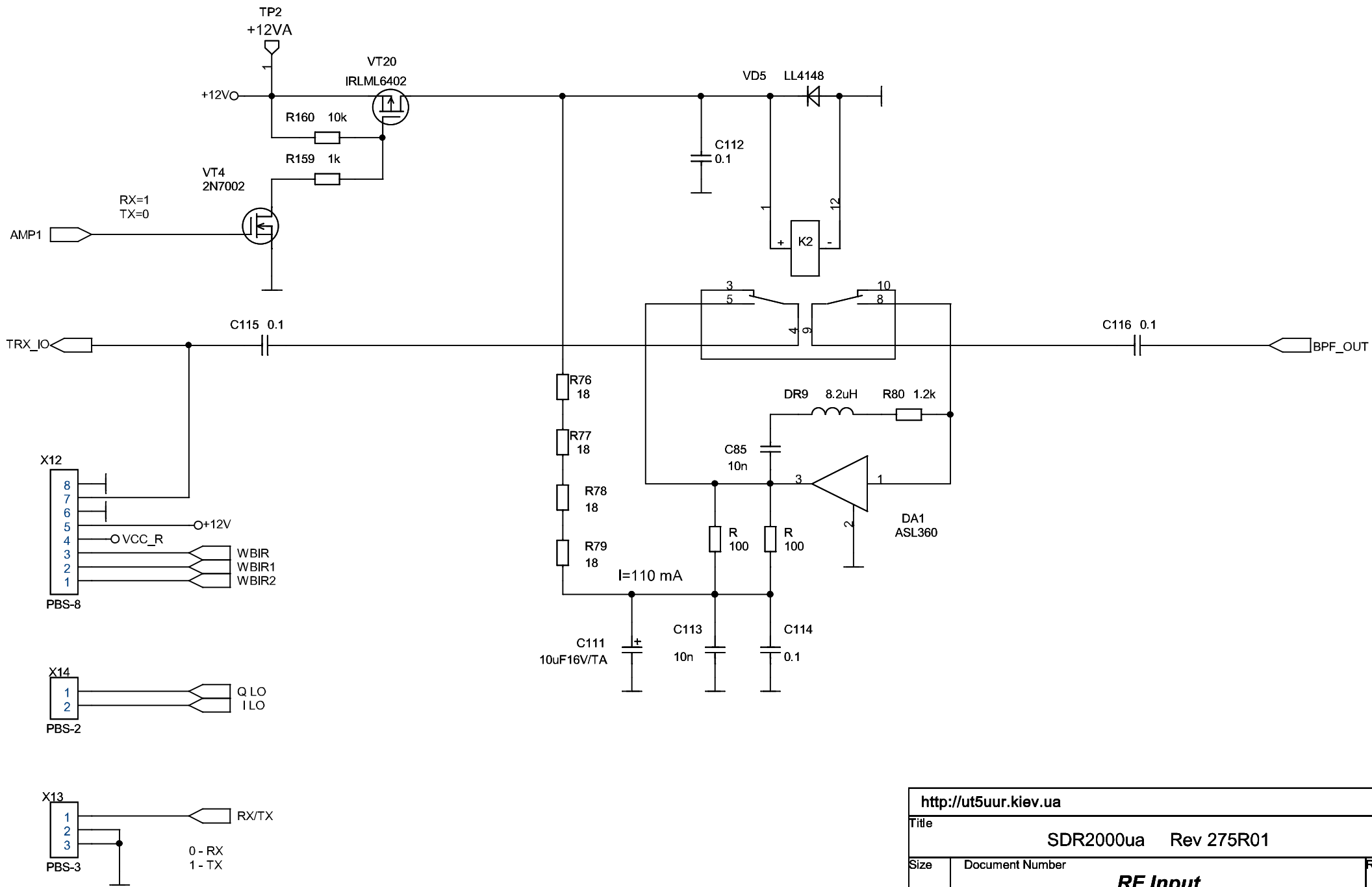
<a href="http://ut5uur.kiev.ua">http://ut5uur.kiev.ua</a>		
Title: SDR2000ua Rev 275R01		
Size	Document Number	Rev R00
<b>INPUT/OUTPUT Block</b>		
Date:	Wednesday, February 03, 2010	Sheet 2 of 17



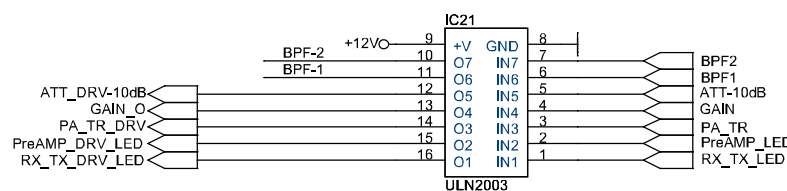
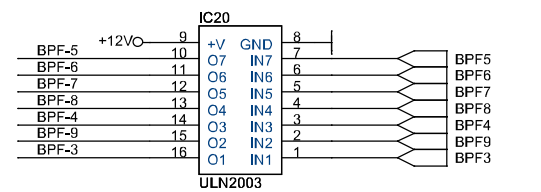
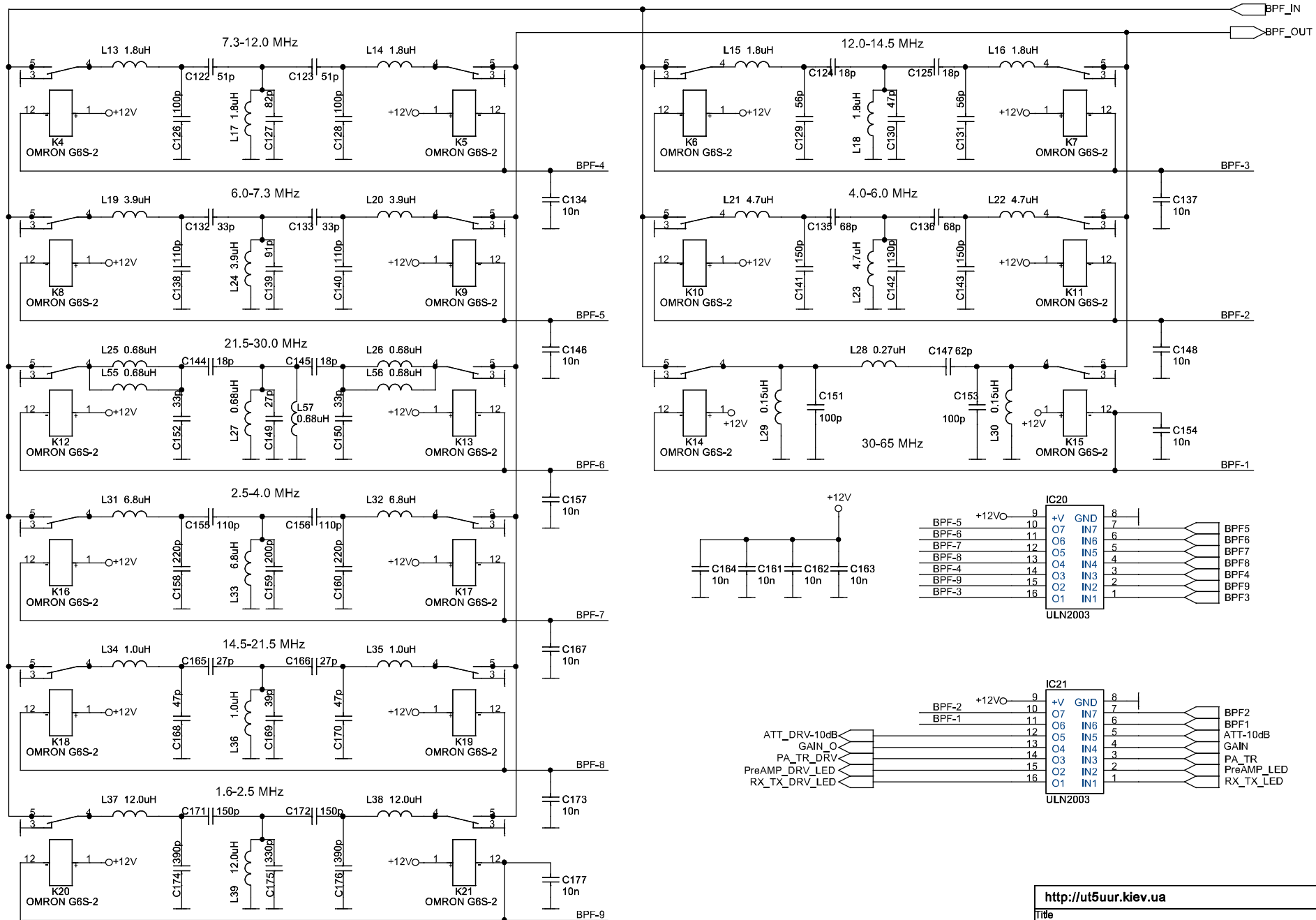




<a href="http://ut5uur.kiev.ua">http://ut5uur.kiev.ua</a>		
Title		
SDR2000ua		Rev 275R01
Size	Document Number	Rev 00
<b>QSE Carrier Null ADJ.</b>		
Date:	Thursday, April 30, 2009	Sheet 5 of 17

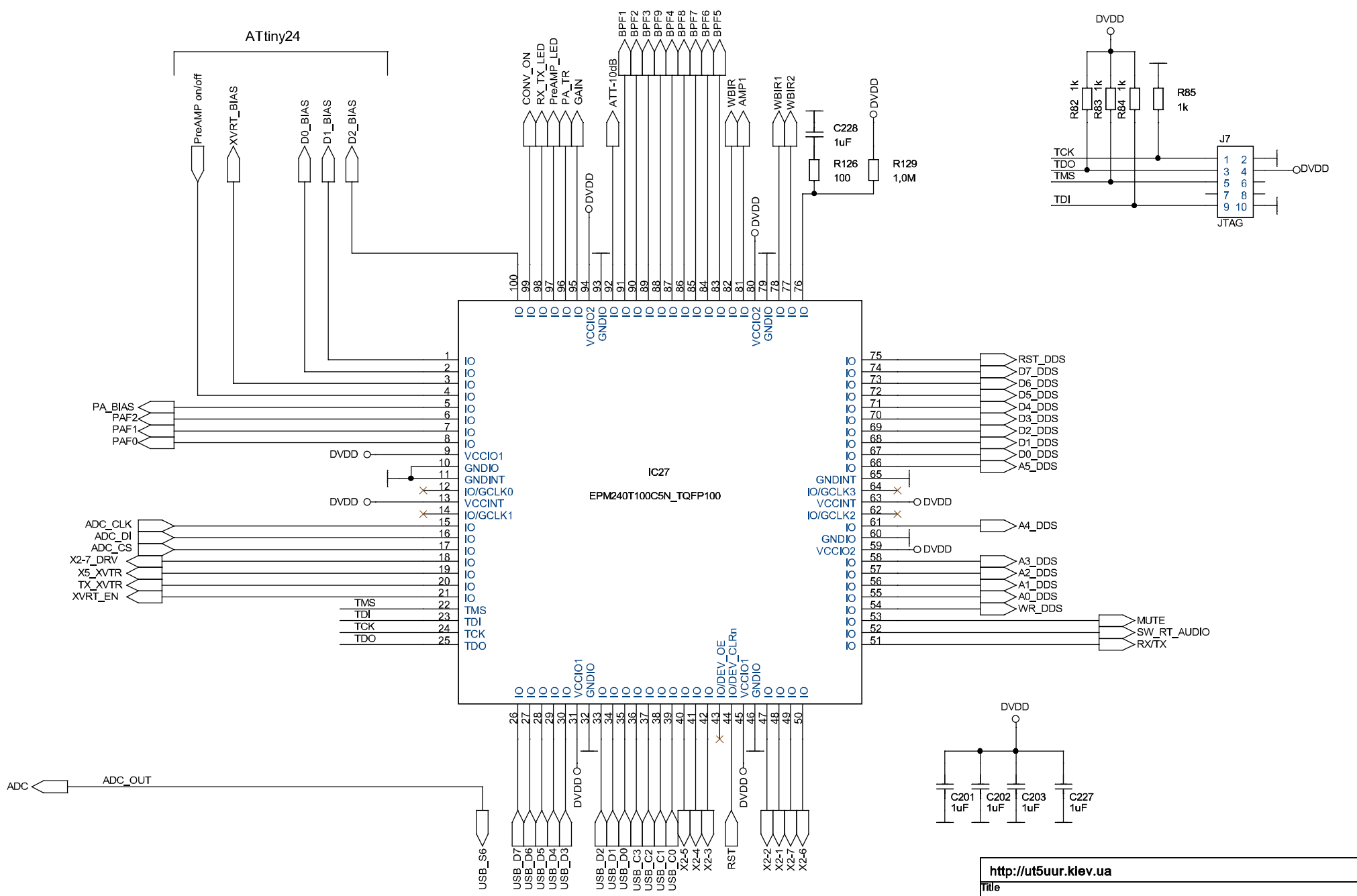


<a href="http://ut5uur.kiev.ua">http://ut5uur.kiev.ua</a>		
Title		
SDR2000ua Rev 275R01		
Size	Document Number	Rev
		00
<b>RF Input</b>		
Date:	Thursday, April 30, 2009	Sheet 6 of 17
	2	1

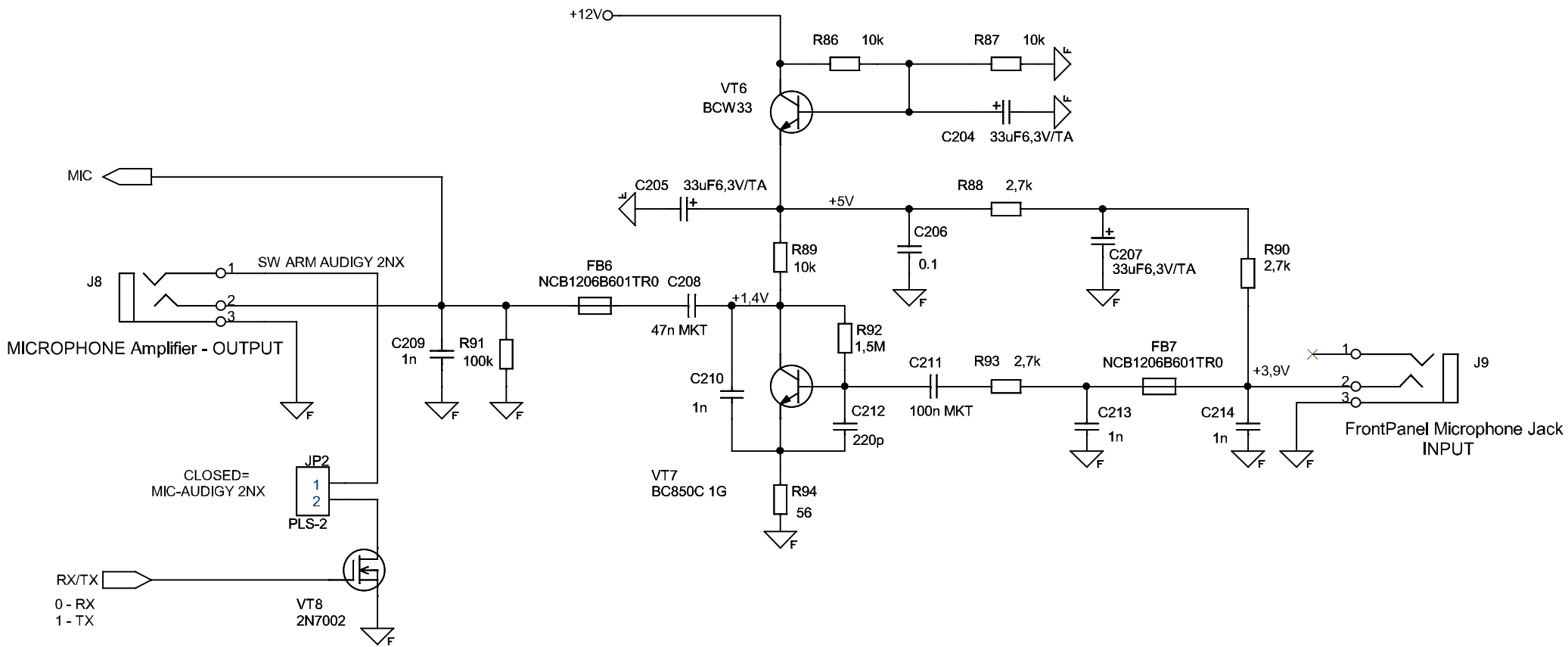




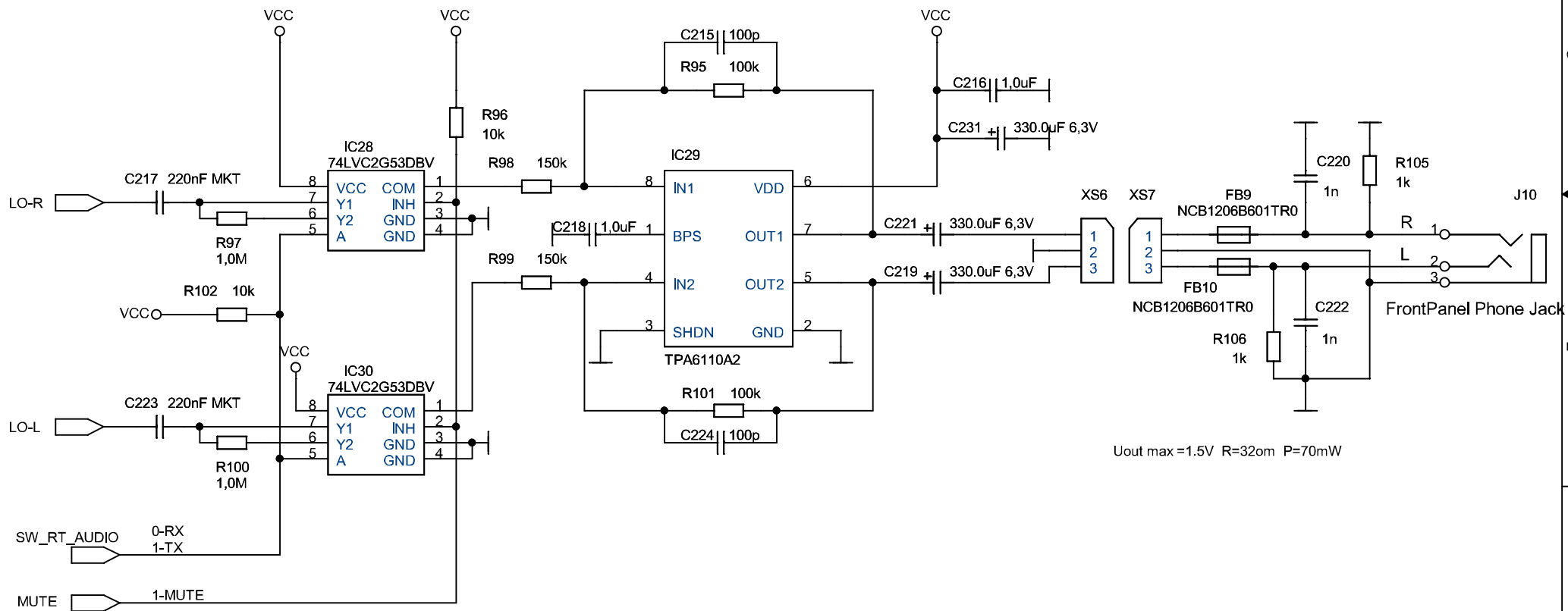




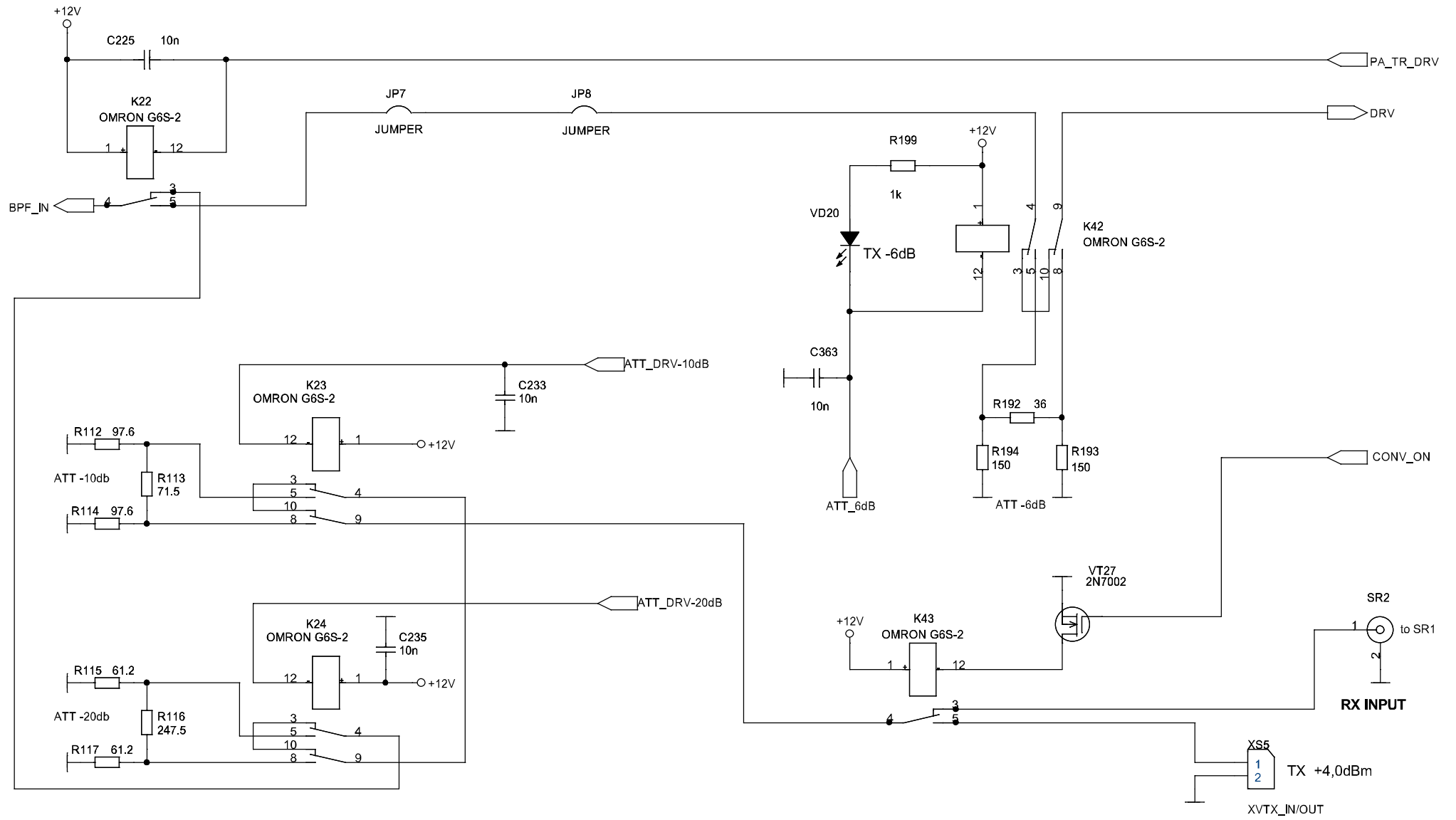
<a href="http://ut5uur.kiev.ua">http://ut5uur.kiev.ua</a>		
Title		
SDR2000ua Rev 275R01		
Size	Document Number	Rev
	<b>EPM240T100C5N</b>	00
Date:	Wednesday, February 03, 2010	Sheet 9 of 17



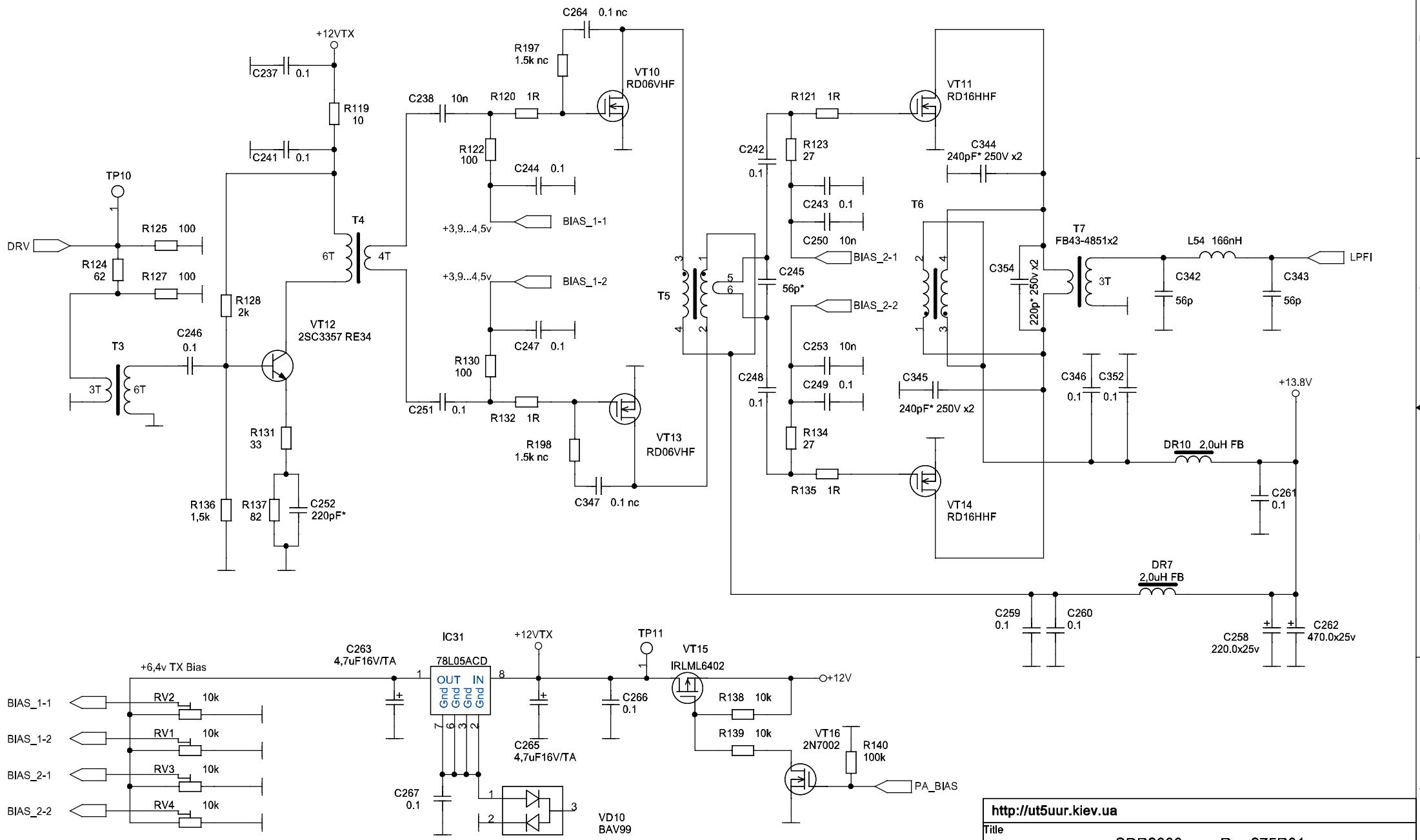
<a href="http://ut5uur.kiev.ua">http://ut5uur.kiev.ua</a>		
Title		
SDR2000ua Rev 275R01		
Size	Document Number	Rev
	<b>Microphone Amplifier</b>	00
Date:	Thursday, April 30, 2009	Sheet 10 of 17



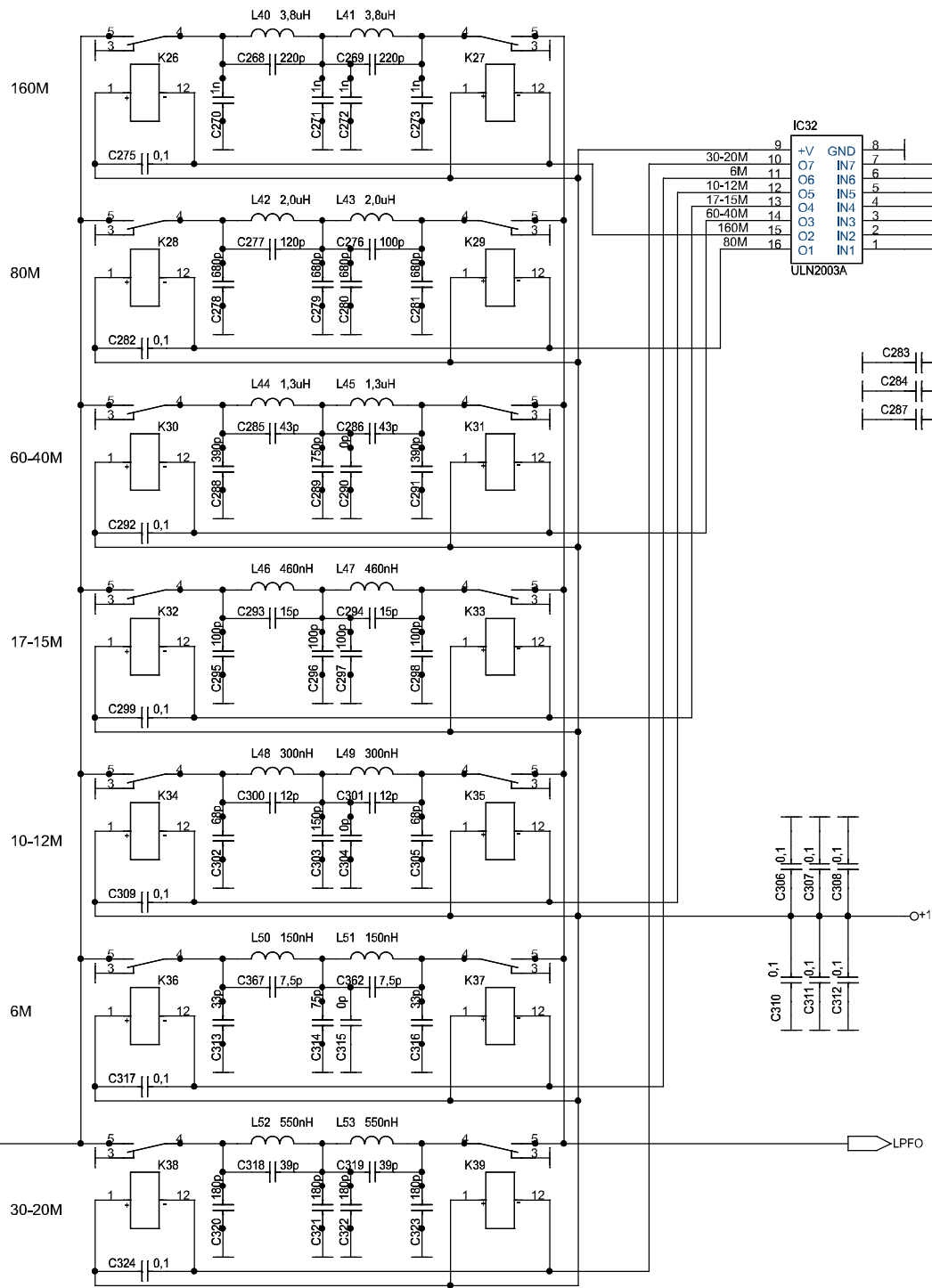
<a href="http://ut5uur.kiev.ua">http://ut5uur.kiev.ua</a>		
Title		
SDR2000ua Rev 275R01		
Size	Document Number	Rev
	<b>Headphone Amplifier</b>	00
Date:	Thursday, April 30, 2009	Sheet 11 of 17



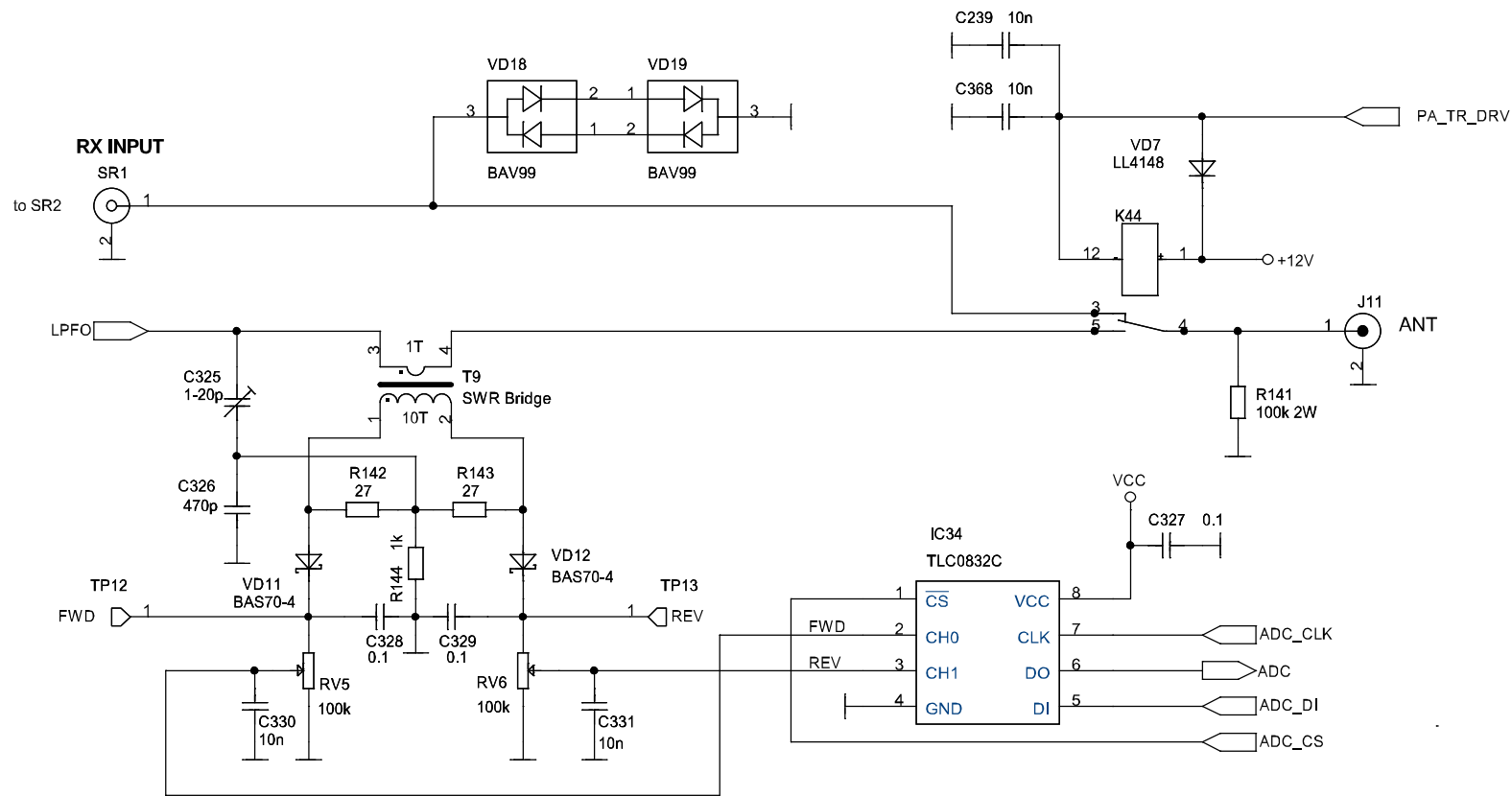
<a href="http://ut5uur.kiev.ua">http://ut5uur.kiev.ua</a>			
Title			
SDR2000ua Rev 275R01			
Size	Document Number		Rev
	<b>ATT-RX/TX</b>		00
Date:	Saturday, June 18, 2011	Sheet	12 of 17



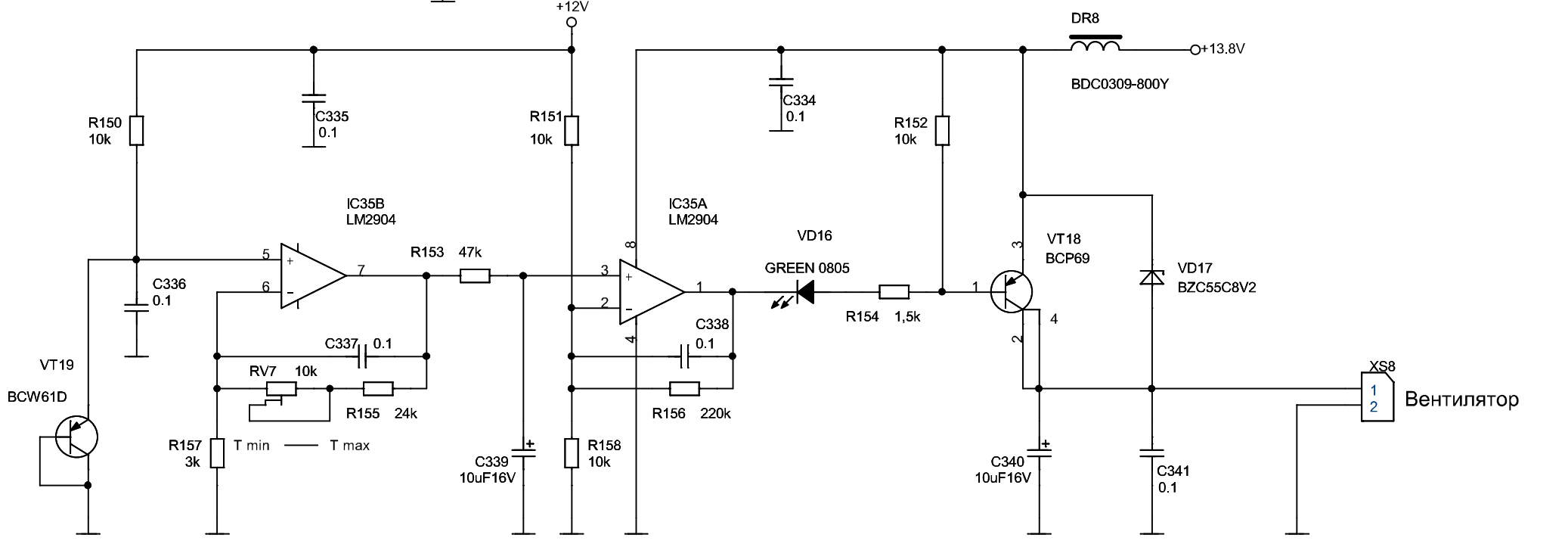
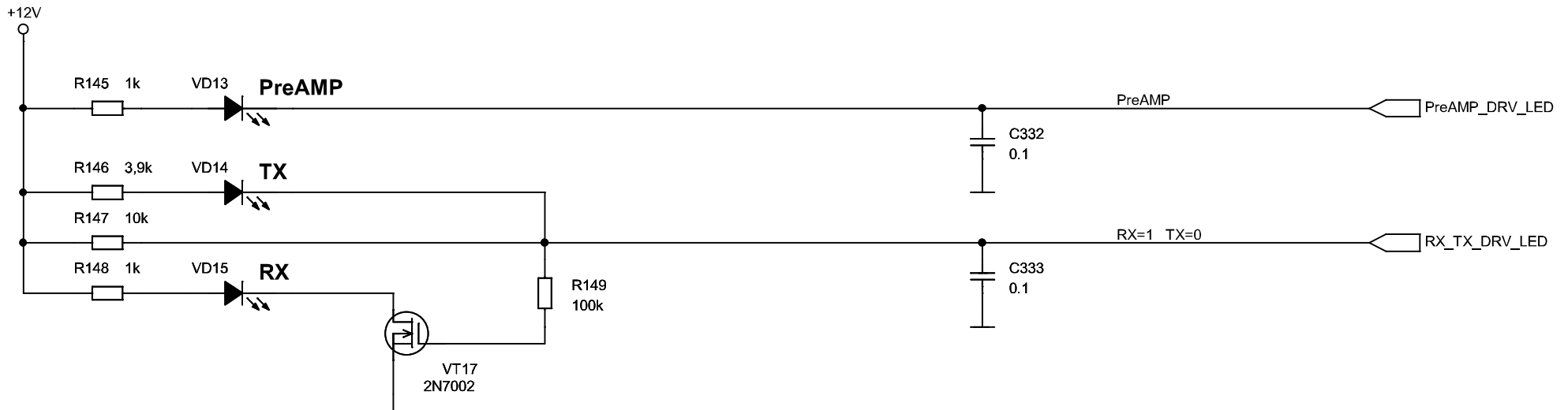
<a href="http://ut5uur.kiev.ua">http://ut5uur.kiev.ua</a>	
Title	
SDR2000ua Rev 275R01	
Size	Document Number
<b>Power Amplifier 15W</b>	
Date:	Wednesday, February 03, 2010
Sheet	13 of 17
Rev	00



BAND	PAF0 [1]	PAF1 [2]	PAF2 [4]
160M	0	1	1
80M	1	0	1
60M	0	0	1
40M	0	0	1
30M	1	1	0
20M	1	1	0
17M	0	1	0
15M	0	1	0
12M	1	0	0
10M	1	0	0
6M	0	0	0



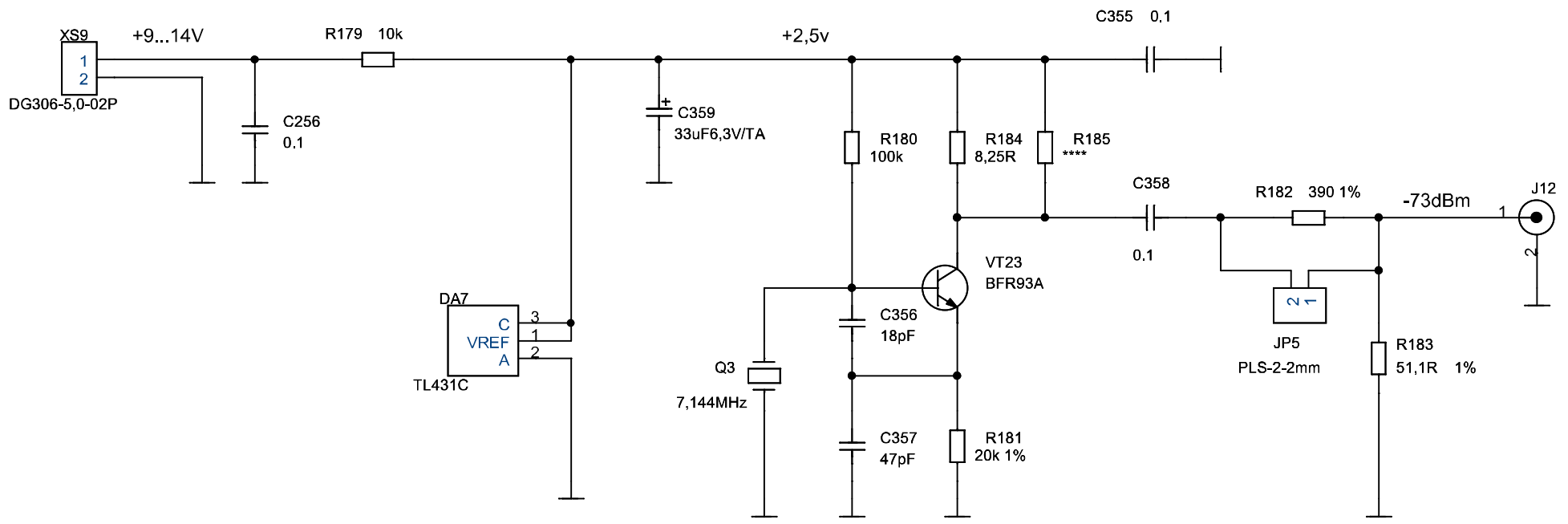
<a href="http://ut5uur.kiev.ua">http://ut5uur.kiev.ua</a>		
Title		
<b>SDR2000ua Rev 275R01</b>		
Size	Document Number	Rev
	<b>SWR Bridge - ADC</b>	00
Date:	Thursday, April 30, 2009	Sheet 15 of 17



Регулировка срабатывания

<a href="http://ut5uur.kiev.ua">http://ut5uur.kiev.ua</a>		
Title		
SDR2000ua		Rev 275R01
Size	Document Number	Rev 00
<b>Blower CTL.</b>		
Date:	Thursday, April 30, 2009	Sheet 16 of 17
	2	1





<a href="http://ut5uur.kiev.ua">http://ut5uur.kiev.ua</a>		
Title		
SDR2000ua Rev 275R01		
Size	Document Number	Rev
A	<b>RF Generator -73dBm</b>	00
Date:	Wednesday, February 03, 2010	Sheet 17 of 17

